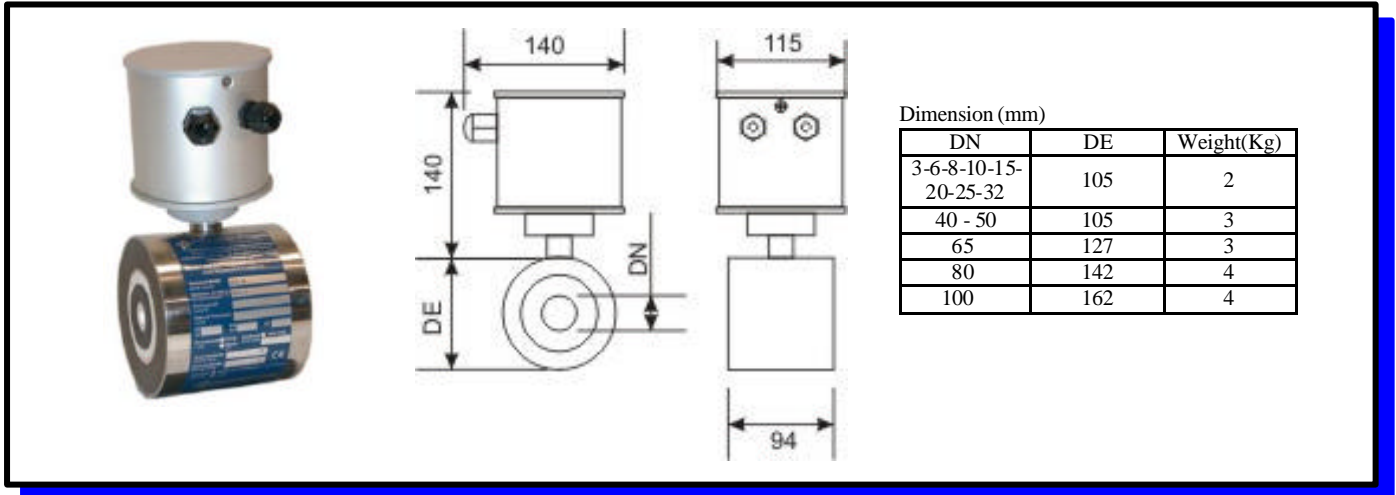




COMPACT ELECTROMAGNETIC FLOWMETER AP1023 / AP1024 - LOW COST version



TECHNICAL DATA

- Version.....: general purpose (LOW -COST)
 Mounting.....: wafer between EN1092-1 flanges
 Nominal size.....: from DN3 to DN100
 Nominal pressure.....: PN10
 Structure.....: stainless steel - not repairable (**welded**)
 Lining.....: AP 1023 PEAD (-20 ÷ 75 °C)
 AP 1024 PTFE (-20 ÷ 100 °C)
 Anti-condensate sealing.....: polyurethane resin
 Measure electrodes.....: AISI316L-1.4404 (**see optional**)
 Accuracy.....: ±1% V.L.
 Output.....: 4 ÷ 20 mA 2 wires (10 ÷ 30 Vdc) selectable 0÷1.5 / 3 / 6 m/sec
 Electrical connections.....: with terminal block
 Insulation thermic class.....: B(130 °C)
 Ambient temperature.....: -10 ÷ 50 °C
 Protection.....: IP 67 CEI EN 60529
 Humidity.....: 5 ÷ 90 % non condensing (air inside)
 Supply.....: 230 Vac ±20% standard (**see optional**)
 Power consumption.....: 8W
 Dimensions.....: see table
 Burn-in.....: 30 hours
 MTBF.....: 25'000 hours
Optionals.....: - Hastelloy B or C – Titanium electrodes
 : - Power supply 115Vac – 24Vac – 24Vdc;
 : - length on request
 : - displays / totalizers – field and panel installation – mod. AP105FT – AP218;
 : - Bi-directional current output 12±8 mA;
 : - Custom calibration on request
 : - **special executions on request**

Bull.	374
Last Updating	July 2004
Italian version	
English version	X

